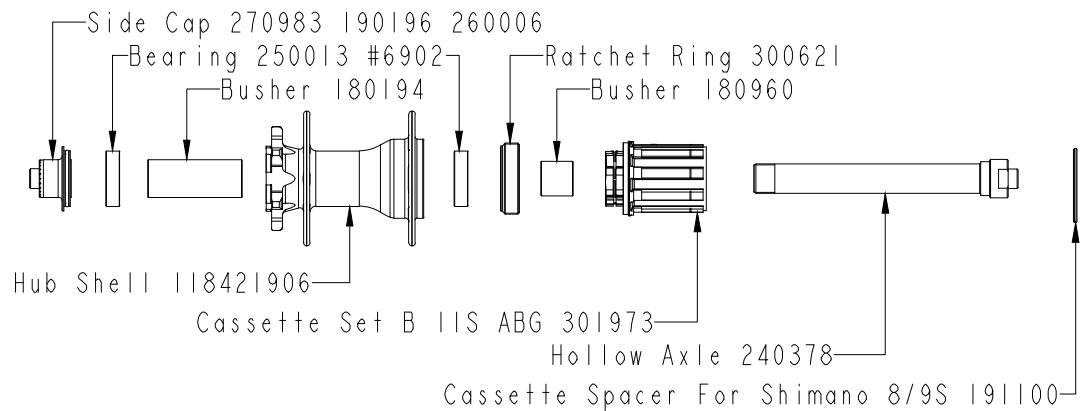
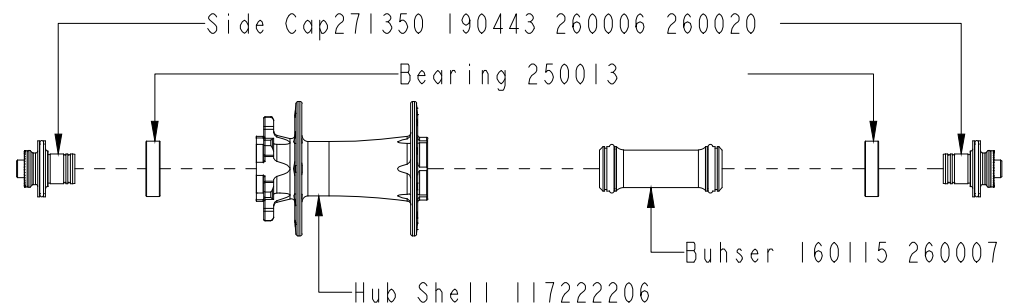
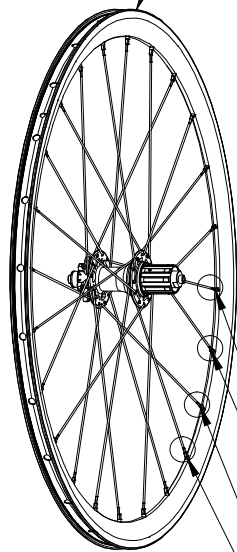
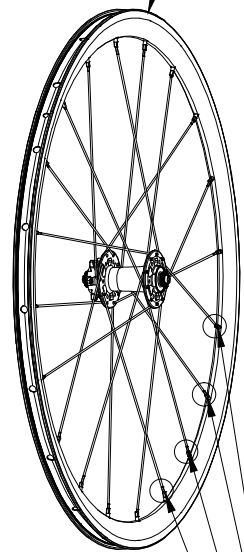


Rim DWA23C
CFTRM-7ADUBG

Rim DWA23C
CFTRM-7ADVGB



Spoke SSDSP-PT529011IT
Spoke SSDSP-PT529211IT
Nipple NSDSP-1440EDA

Spoke SSDSP-PT528711IT
Spoke SSDSP-PT528511IT
Nipple NSDSP-1440EDA

Spoke SSDSP-PT5290E1IT
Spoke SSDSP-PT5292E1IT
Nipple NSDSP-1440EDA

Spoke SSDSP-PT5287E1IT
Spoke SSDSP-PT5285E1IT
Nipple NSDSP-1440EDA

Cust Model No.

MODEL	SHEET
CXD Clincher	1/1

T. Range	T. Allow	T. Angle
1-4	±0.05	±10°
4-16	±0.1	±20°
16-64	±0.2	±30°
64-250	±0.3	±1°
250-1500	±0.5	±2°

M. Code	M. Drawer	Mat.	Drw. No.
Scale	M. Date	Name	REV.
H. T.	Check	Drawer	Code
Fin.	Apprv.	Date	

Wheel Set Schematic D.	1.0
李沅葵	
16.02.25	