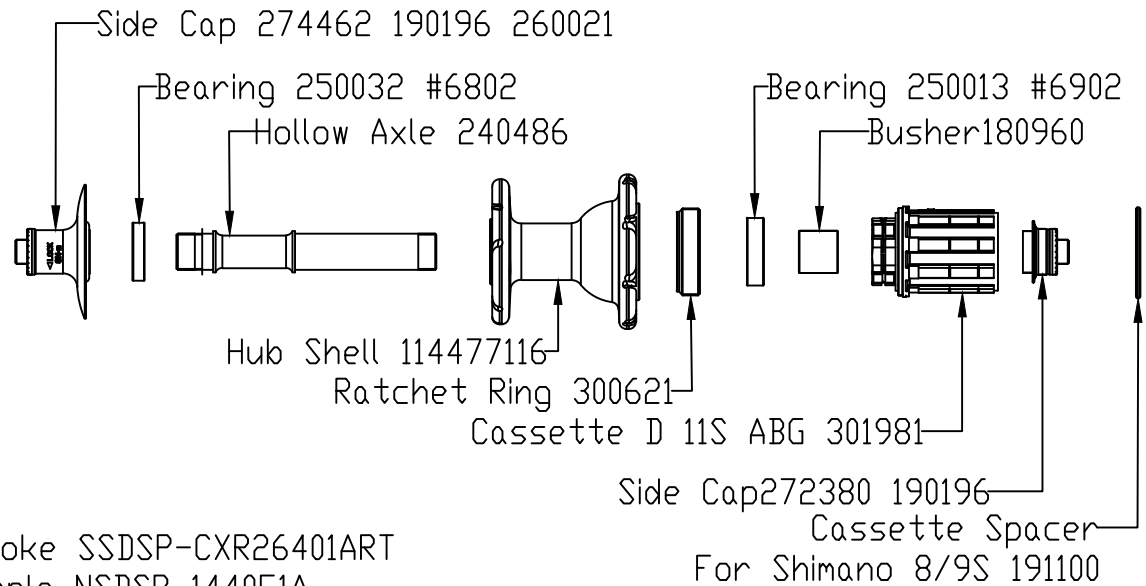
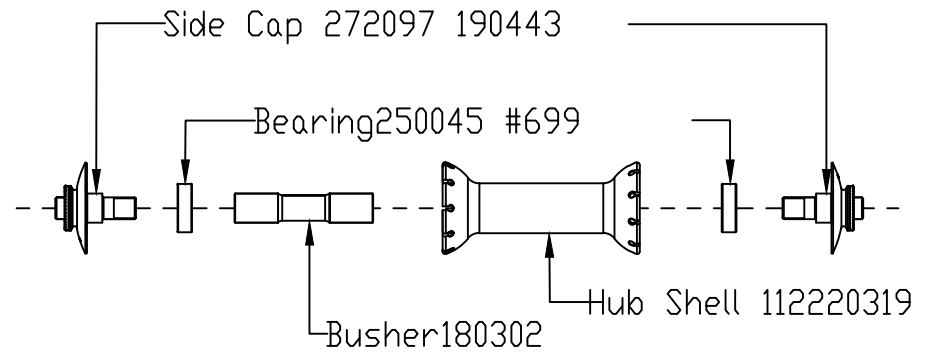
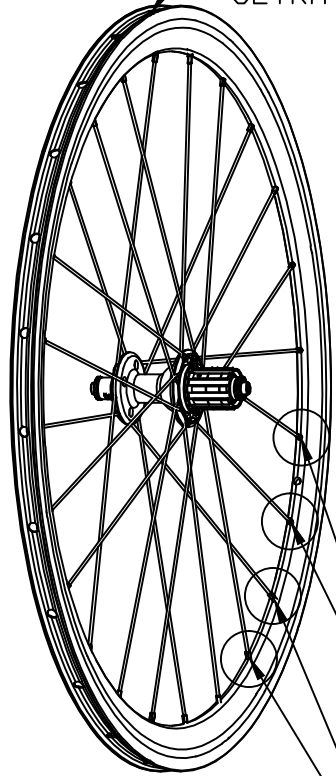
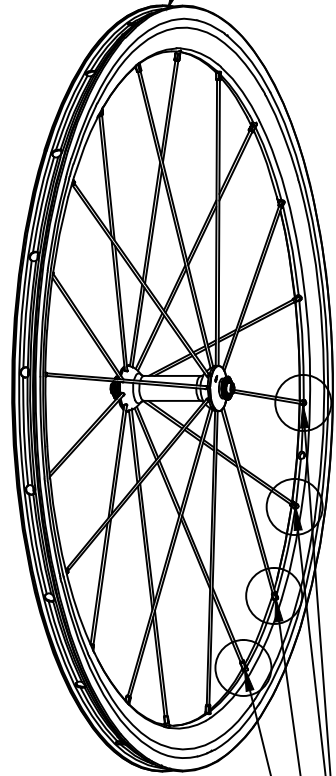


Rim RN38T
CLYRM-7C669J

Rim RN38T
CLYRM-7C679J



Spoke SSDSP-CXR26401ART
Nipple NSDSP-1440F1A
Washer 190720

Spoke SSDSP-CXR27001ART
Nipple NSDSP-1440F1A
Washer 190720

Spoke SSDSP-CXR2670EART
Spoke SSDSP-CXR2640EART
Nipple NSDSP-1440E1A
Washer 190720

Spoke SSDSP-CXR2700EART
Nipple NSDSP-1440E1A
Washer 190720

Cust Model No.

Model No. Sheet

R3 Tubular

2/2

T-Range	T-Allow	T-Angle
1-4	±0.05	±10°
4-16	±0.1	±20°
16-64	±0.2	±30°
64-250	±0.3	±1°
250-1500	±0.5	±2°

Content

M.Code	M.Drawer	Mate.	M.Date	Name	Drawer	Date
Scale	李沅	Wheel Set Schematic D.	16.0	林裕		13.06.0
H.T.	FREE	Check	2015			
Fin.		Apprv.				

Drw.No.	REV.	Mat. No.
JY130159	1.0	

